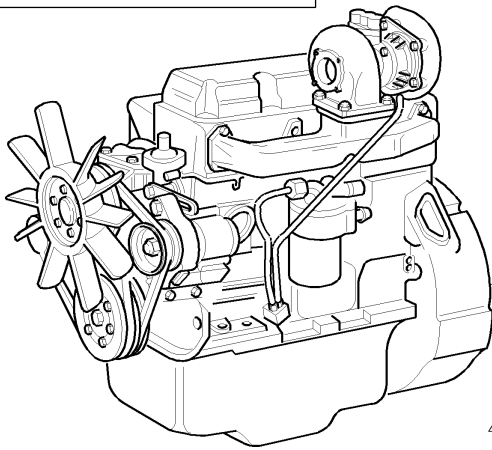


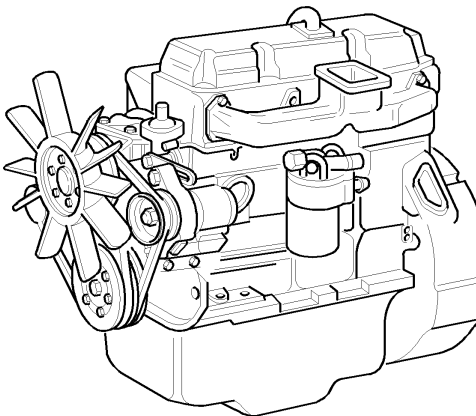
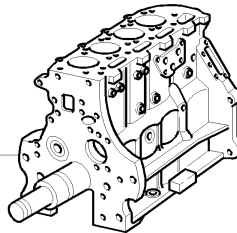
A: NOT INCLUDED: STARTING MOTOR
ALTERNATOR, FAN, FLYWHEEL, ETC.

3

New Holland U.K. Limited		EMISSION CONTROL LABEL
Serial # _____ Build date _____		
IMPORTANT ENGINE INFORMATION		
EPA family name: _____	This engine conforms to _____	E.E.C. Approval: _____
Engine Model: _____		
Displacement (litres/cu in): _____	for large non-road compression ignition diesel engines	E.E.C. Type Approval N: _____
Rated power (kW/HP): _____		
Rated speed (rpm): _____		
Rated torque (Nm/lb ft): _____		
Rated fuel consumption (l/h): _____		
Rated fuel consumption (l/hp/h): _____		
Rated fuel consumption (g/kWh): _____		
High idle speed: _____	This engine is designed to operate on continuously rotating shafts.	When making adjustments, parking brake and chocks should be applied. Use speed with engine at normal operating temperature. Connections and headlights off and transmission in neutral.
Low idle speed: _____		
Exhaust: _____		
Emissions control System: _____		



4



2

D3804 chassis N.031016930	int.groups: 0.04.0-0.04.3-0.06.0-0.07.1-0.08.0 0.08.2-0.08.2/1-0.08.4-0.12.0-0.14.0 0.14.0/1-0.24.0-0.30.2-0.31.0-1.14.0 1.14.2-1.17.2-1.75.2-1.75.2/1
---------------------------	---



Variants

-

Model Information

''''

Serial Number ranges

-

Production Dates

-

#	Part #	Part Name	Description	Qty
1	87801173	ENGINE	FB100-FB110	1
1	87801448	ENGINE	FB100-FB110	1
1	87801448EX	REMAN-REPLACEMENT EN	FB100-FB110	1
1	87801448EXC	CORE-ENGINE	FB100-FB110	1
2	87800268	ENGINE	FB90	1
2	87801451	ENGINE	FB90	1
3	87801168	DECAL	-	1
4	87801335	SHORT ENGINE	FB100-FB110	1
4	87801489	SHORT ENGINE	FB90	1
4	E9NN6009BA	SHORT ENGINE	FB90	1
4	83999187	SHORT ENGINE	FB100-FB110	1
5	82845282	KIT, ENGINE TOP GASK	-	1
6	82845283	ENGINE GASKET KIT	Lower Engine Gasket	1

